



For fast & easy measurement

**ZEISS SPECTRUM with  
ZEISS XDT direct**  
Single Point Measurement

Sizes:  
5/5/6 &  
7/7/6 &  
7/10/6



For higher data quality

**ZEISS SPECTRUM with  
ZEISS VAST XXT direct**  
Scanning Technology

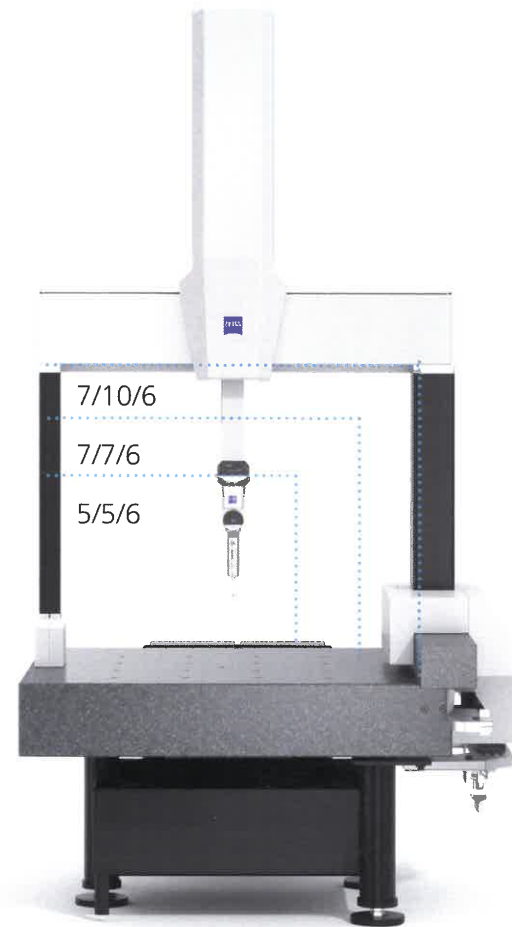
Sizes:  
5/5/6 &  
7/7/6 &  
7/10/6



For complex parts

**ZEISS SPECTRUM with  
ZEISS RDS-C5 CAA including  
ZEISS VAST XXT**  
Scanning Technology with  
articulating probe and CAA  
(Computer Aided Accuracy)  
for faster operating time

Sizes:  
5/5/6 &  
7/7/6 &  
7/10/6



# ZEISS SPECTRUM

Upgrade to trusted measuring results



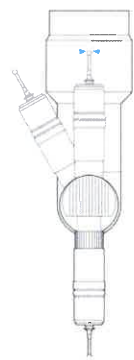
# ZEISS SPECTRUM

## Key Characteristics

With the ZEISS SPECTRUM coordinate measuring machine you will enter a new level of precision and trusted results – at an unmatched price-performance ratio.

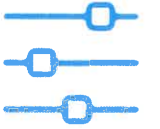
### Unmatched scanning technology

The combination of ZEISS VAST XXT and ZEISS RDS-C5 including CAA increases the reliability and reduces operation time of measurements enormously. It also enables a wide range of measurement tasks.



### Tailored for your application

**Flexibility via three different sensors**  
ZEISS XDT direct, ZEISS VAST XXT direct,  
ZEISS RDS-C5 CAA VAST XXT  
Covered by three sizes 5/5/6, 7/7/6  
and 7/10/6



### Better data quality

**with ZEISS VAST XXT**  
Form measurement error for roundness  
with a RONT of  
1.8  $\mu\text{m}$  for 5/5/6 and  
1.9  $\mu\text{m}$  for 7/7/6, 7/10/6



### Get a great value

**Highest quality from leading technology**  
with a  $\text{MPE}_{\text{E}0}$  of  
1.9+L/250  $\mu\text{m}$  for all machine sizes



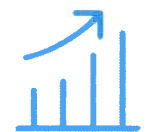
### Cost effectiveness

**Get the fastest qualification time in class**  
ZEISS RDS-C5 including CAA allows a qualified  
system of all 5184 possible positions in approx.  
12 minutes.



### Reliability & performance

Patented floating mounted **glass ceramic scales**  
for eliminating the temperature scale deflection,  
meaning temperature sensors are not required.



### Small footprint

**Backpack controller**, as well as passive  
damping system and earthquake protection.

